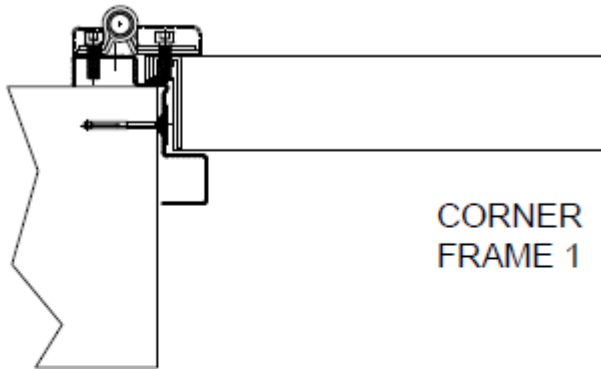
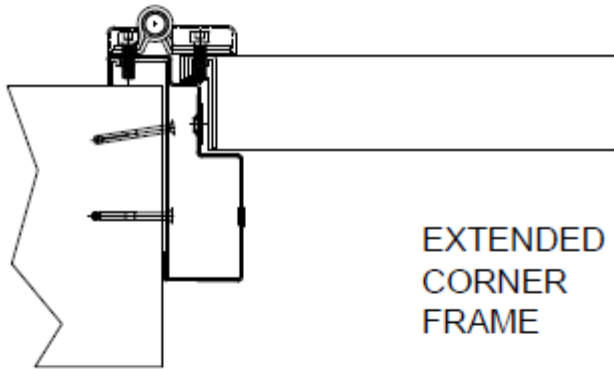


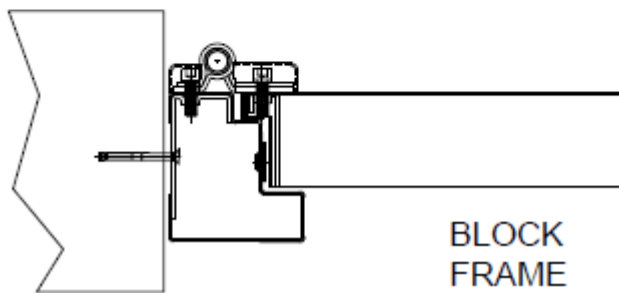
Special Steel Frames



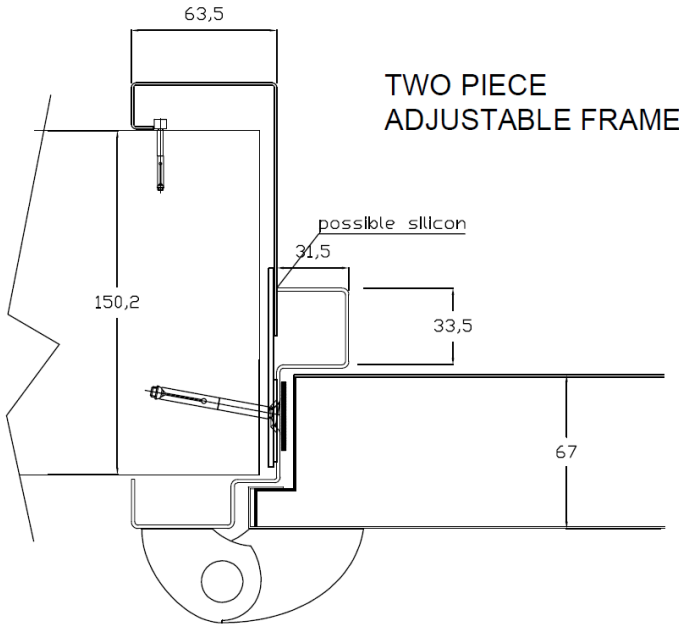
CORNER
FRAME 1



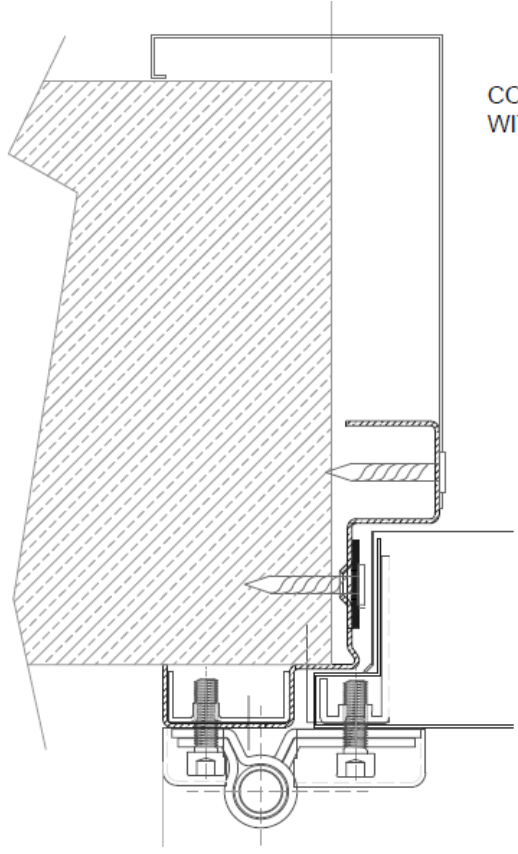
EXTENDED
CORNER
FRAME



BLOCK
FRAME



TWO PIECE
ADJUSTABLE FRAME



CORNER FRAME
WITH COUNTER